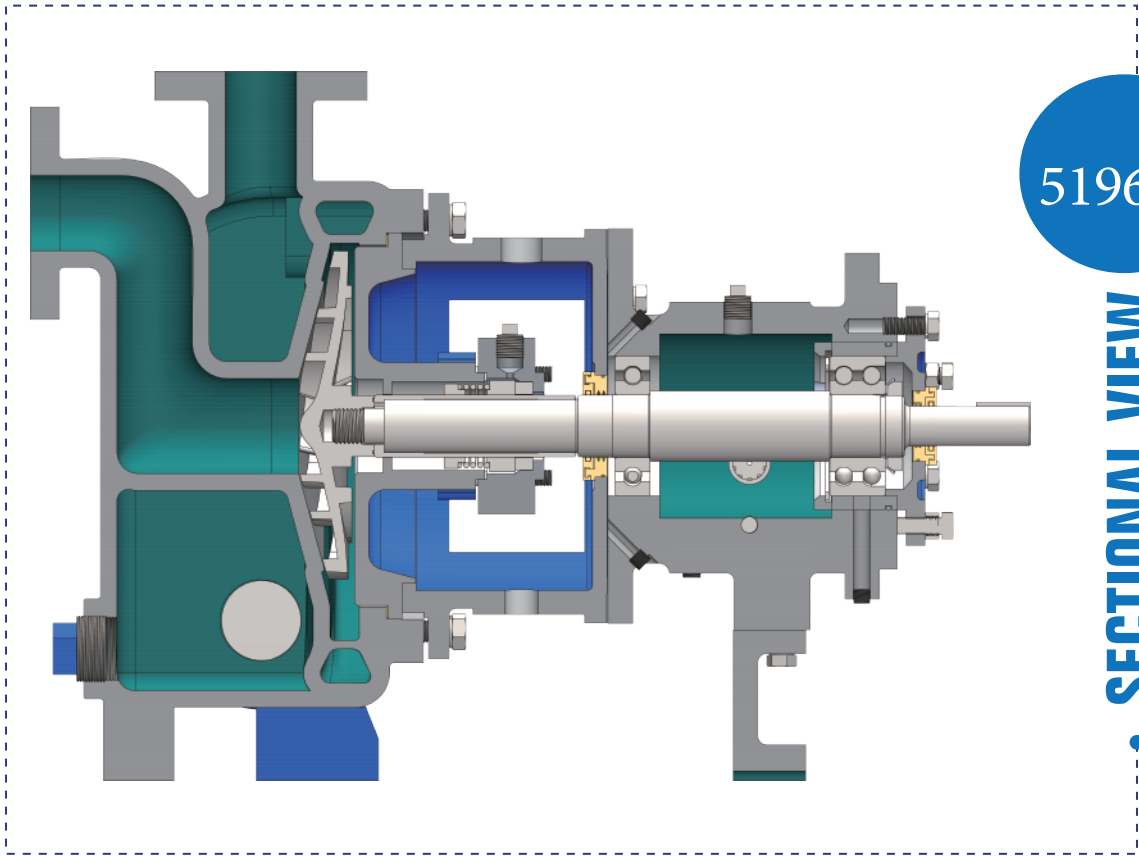




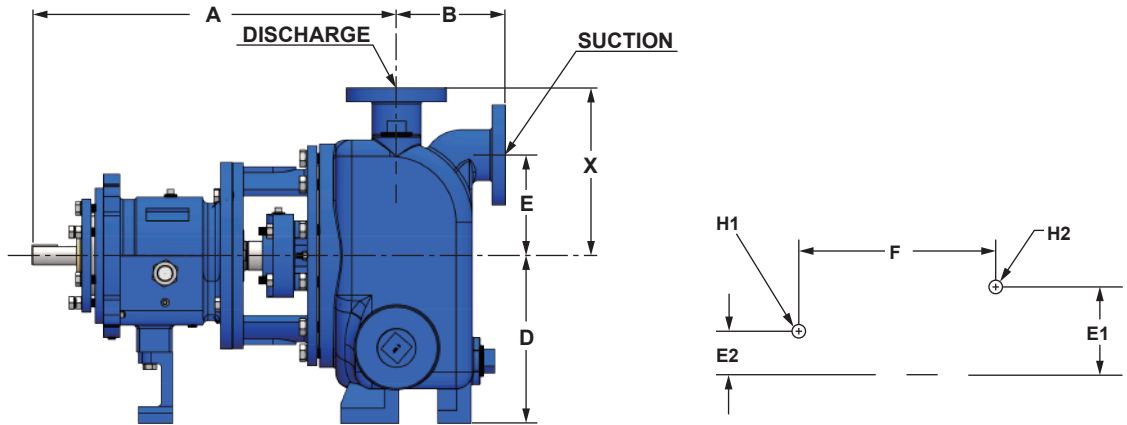
## 5196-SP SERIES SELF-PRIMING CHEMICAL PROCESS



5196-SP

SECTIONAL VIEW

OUTLINE DIMENSIONS



DIMENSIONS

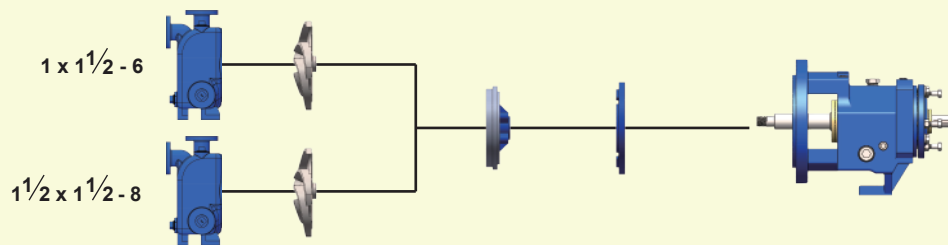
Group	Pump Size	Discharge	Suction	A	B	D	E	X	E1	E2	H1	H2	Bare Pump Weight Lbs.(kg)
STN	1 x 1 1/2 -6	1	1 1/2	15 1/2 (394)	5 (127)	7 1/2 (191)	4 (102)	7 1/4 (184)	3 (76.2)	0	φ 5/8	φ 1/16	170 (77)
	1/2 x 1 1/2 -8	1 1/2	1 1/2					7 5/8 (200)	3 (76.2)	0	φ 5/8	φ 5/8	
MTN/LTN	2 x 2 -10	2	2	21 3/4 (552)	6 1/2 (165)	10 (254)	6 (152)	10 (254)	4 7/8 (123.825)	3 5/8 (92.08)	φ 5/8	φ 5/8	270 (123)
	3 x 3 -10	3	3	22 5/8 (575)	6 3/4 (171)				4 7/8 (123.825)	3 5/8 (92.08)	φ 5/8	φ 5/8	315 (143)
	4 x 4 -10	4	4	23 3/8 (594)	9 3/16 (233)				4 7/8 (123.825)	3 5/8 (92.08)	φ 5/8	φ 5/8	370 (168)
	3 x 3 -13	3	3	22 5/8 (575)	6 3/4 (171)			11 1/2 (292)	4 7/8 (123.825)	3 5/8 (92.08)	φ 5/8	φ 5/8	400 (182)
	4 x 4 -13	4	4	23 3/8 (594)	9 3/16 (233)				4 7/8 (123.825)	3 5/8 (92.08)	φ 5/8	φ 5/8	470 (214)
	6 x 6 -13	6	6	15 1/4 (387)	10 (254)				12 (356)	8 (203)	15 (356)	4 7/8 (123.825)	3 5/8 (92.08)

# PRODUCT FEATURES

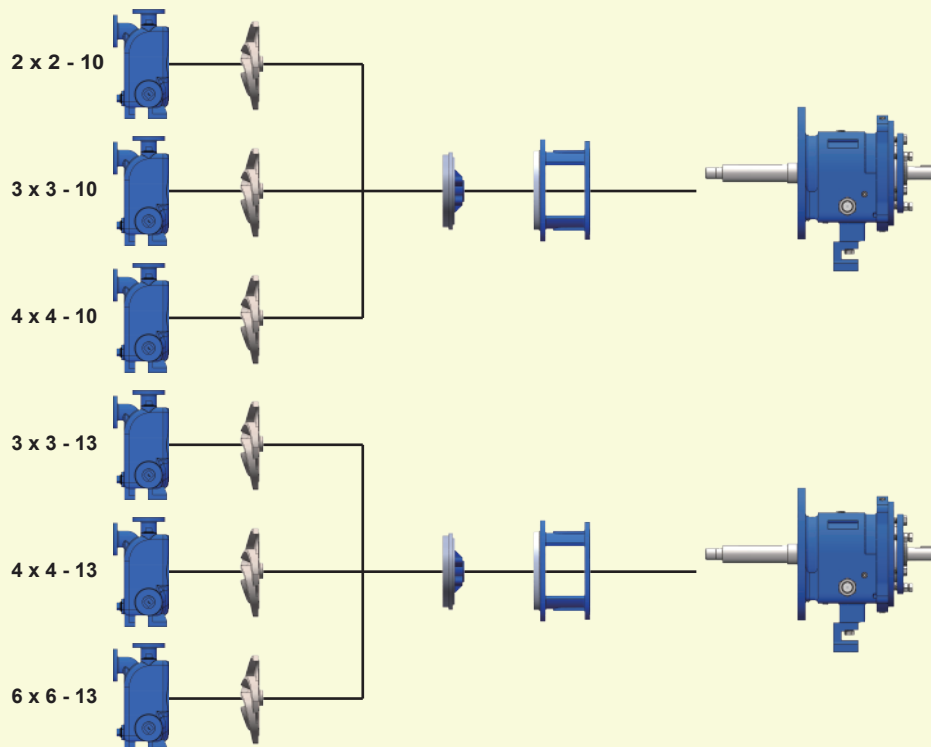
5196-SP process pump line is specifically designed to provide superior performance for self-priming services of the Chemical Process Industries. Power end kits, stuffing box kits and impeller are fully interchangeable with G-5196 pumps.

## ▼ MODEL 5196-SP INTERCHANGEABILITY & OUTLINE DIMENSION DRAWING

### Model 5196-SP STN



### Model 5196-SP MTN/LTN



# PERFORMANCE CHARTS

5196-SP SERIES SELF-PRIMING CHEMICAL PROCESS PUMP

